

Prüfbericht-Nr.: Test Report No.:	50194213 001	Auftrags-Nr.: Order No.:	214105006	Seite 1 von of 17 Page 1 von of 17	
Kunden Referenz-Nr.: Client Reference No.:	PA0799595	Auftragsdatum: Order date:	2018-10-26		
Auftraggeber: Client:	Toshiba Energy Systems & Solutions Corporation 72-34, Horikawa-cho, Saiwai-ku, Kawasaki 212-8585, Japan				
Gegenstand der Prüfung: Test item:	TOSHIBA-VPP				
Bezeichnung / Typ-Nr.: Identification / Type No.:	TOSHIBA-VPP (VTN)				
Auftrags-Inhalt: Order content:	OpenADR Certification Test				
Prüfgrundlage: Test specification:	OpenADR 2.0b Certification Test Specification Version 1.1.2 OpenADR 2.0a Certification Test Specification Version 1.1.2				
Wareneingangsdatum: Date of receipt:	2018-11-13				
Prüfmuster-Nr.: Test sample No.:	A000843686				
Prüfzeitraum: Testing period:	2018-11-15 - 2018-11-21				
Ort der Prüfung: Place of testing:	TÜV Rheinland Japan Ltd. Global Technology Assessment Center 4-25-2 Kita-Yamata, Tsuzuki-ku Yokohama 224-0021, Japan				
Prüflaboratorium: Testing laboratory:	TÜV Rheinland Japan Ltd.				
Prüfergebnis: Test results:	The test item passed the test specification(s).				
Geprüft von Tested by:		Kontrolliert von Reviewed by:			
2018-11-27 Atsuhiko Endo		2018-11-29 Tam Tran Thanh			
Datum Date	Name / Stellung Name / Position	Unterschrift Signature	Datum Date	Name / Stellung Name / Position	Unterschrift Signature
Sonstiges / Other Aspects:					
Zustand des Prüfgegenstandes bei Anlieferung: Condition of the test item at delivery:			Prüfmuster vollständig und unbeschädigt Test item complete and undamaged		
*Legende: 1 = sehr gut 2 = gut 3 = befriedigend 4 = ausreichend 5 = mangelhaft P(ass) = entspricht o.g. Prüfgrundlage(n) F(ail) = entspricht nicht o.g. Prüfgrundlage(n) N/A = nicht anwendbar N/T = nicht getestet Legend: 1 = very good 2 = good 3 = satisfactory 4 = sufficient 5 = poor P(ass) = passed a.m. test specification(s) F(ail) = failed a.m. test specification(s) N/A = not applicable N/T = not tested					
Dieser Prüfbericht bezieht sich nur auf das o.g. Prüfmuster und darf ohne Genehmigung der Prüfstelle nicht auszugsweise vervielfältigt werden. Dieser Bericht berechtigt nicht zur Verwendung eines Prüfzeichens. This test report only relates to the a. m. test sample. Without permission of the test center this test report is not permitted to be duplicated in extracts. This test report does not entitle to carry any test mark					



Contents

1	General Product Information	3
1.1	Client Information	3
1.2	General SUT Information	3
1.3	General EUT Description	3
1.4	Profile	3
2	Testing Laboratory	4
2.1	Test Equipment	4
2.2	Test Setup	4
3	Information about Test Results	5
3.1	General	5
4	Test Results	6
4.1	Profile 2.0b	6
4.1.1	VTN Pull Tests	6
4.1.1.1	EiRegisterParty Service	6
4.1.1.2	EiOpt Service	6
4.1.1.3	EiReport Service	7
4.1.1.4	EiEvent Service	7
4.1.1.5	EiEvent Ported A Profile	8
4.1.1.6	General Tests	8
4.1.2	VTN Push Tests	9
4.1.2.1	EiRegisterParty Service	9
4.1.2.2	EiOpt Service	9
4.1.2.3	EiReport Service	10
4.1.2.4	EiEvent Service	10
4.1.2.5	EiEvent Ported A Profile	11
4.1.2.6	General Tests	11
4.1.2.7	XMPP Tests	12
4.2	Profile 2.0a	13
4.2.1	VTN Pull Tests	13
4.2.1.1	Application Layer Test Cases	13
4.2.1.2	Security Test Cases	13
4.2.2	VTN Push Tests	14
4.2.2.1	Application Layer Test Cases	14
4.2.2.2	Security Test Cases	14
4.2.3	Transport Tests	14
5	Remarks and References	15
6	Photos	16

1 General Product Information

1.1 Client Information

Company Name:	see page 1
Address:	see page 1
Contact Person:	Kazuaki Kusakiyo
Phone:	+81-44-331-1531
E-mail:	kazuaki.kusakiyo@toshiba.co.jp

1.2 General SUT Information

The system under test is software implementation of OpenADR protocol installed on laptop.

Serial Number:	N/A
Hardware Version:	N/A
Firmware version:	1.0

1.3 General EUT Description

Equipment under test:	see page 1
-----------------------	------------

1.4 Profile

Product type:	VTN
OpenADR profile:	2.0b
Mode:	Pull, Push
Transport:	Simple HTTP, XMPP
Security:	Standard Security

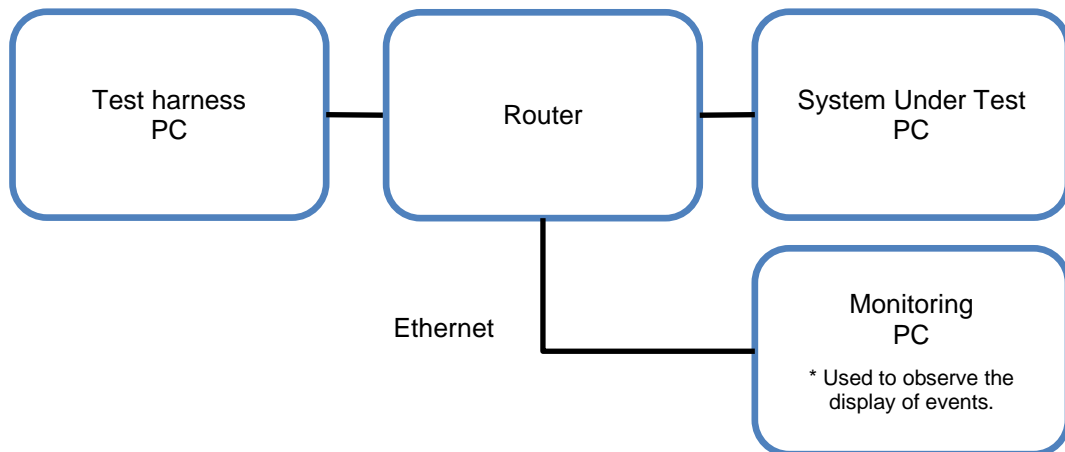
2 Testing Laboratory

Company name: TÜV Rheinland Japan Ltd.
Address: see page 1

2.1 Test Equipment

Equipment ID	Model Product name	Manufacture	Category	Version
1800528	OpenADR Test Harness for 2.0b	QualityLogic	Software	1.1.2
1800440	OpenADR Test Harness for 2.0a	QualityLogic	Software	1.1.2
1814316	Router / WXR-1750DHP	BUFFALO	N/A	N/A

2.2 Test Setup



3 Information about Test Results

3.1 General

Documentation of tested devices and results:

The complete set of measurement results is stored at the TÜV Rheinland Japan Ltd. test laboratory and is available on demand.

Interpretation of test results:

The results of the inspection are described on the following pages. "Pass" in the test result list of this test report means the performed test according to the test specification was verified and that the tested device is conformant to the specification. "Fail" means that the performed test according to the test specification was verified and the tested device is not conformant to the specification or that test didn't run to completion because the tested device is not conformant to the specification. "N/A" means the test cases are optional and/or not applicable to the tested device.

4 Test Results

4.1 Profile 2.0b

4.1.1 VTN Pull Tests

4.1.1.1 EiRegisterParty Service

No.	Test Case Name	Date	Result	Log
01	N1_0010_TH_VEN	Nov 15 2018	PASS	TraceLog_111518_143707_972.txt
02	N1_0015_TH_VEN	Nov 15 2018	PASS	TraceLog_111518_144326_191.txt
03	N1_0020_TH_VEN	Nov 15 2018	PASS	TraceLog_111518_143831_509.txt
04	N1_0025_TH_VEN	Nov 15 2018	PASS	TraceLog_111518_144151_670.txt
05	N1_0030_TH_VEN	Nov 15 2018	PASS	TraceLog_111518_144020_682.txt
06	N1_0040_TH_VEN	Nov 15 2018	PASS	TraceLog_111518_144507_647.txt
07	N1_0050_TH_VEN	Nov 15 2018	PASS	TraceLog_111518_144953_864.txt
08	N1_0060_TH_VEN	Nov 15 2018	PASS	TraceLog_111518_145202_657.txt
09	N1_0065_TH_VEN	Nov 15 2018	PASS	TraceLog_111518_145359_369.txt
10	N1_0070_TH_VEN	Nov 15 2018	PASS	TraceLog_111518_145548_604.txt
11	N1_0080_TH_VEN	Nov 15 2018	PASS	TraceLog_111518_144724_459.txt

4.1.1.2 EiOpt Service

No.	Test Case Name	Date	Result	Log
01	P1_2010_TH_VEN	Nov 15 2018	PASS	TraceLog_111518_150047_559.txt
02	P1_2015_TH_VEN	Nov 15 2018	PASS	TraceLog_111518_150239_712.txt
03	P1_2020_TH_VEN	Nov 15 2018	PASS	TraceLog_111518_150418_387.txt
04	P1_2030_TH_VEN	Nov 15 2018	PASS	TraceLog_111518_150639_863.txt
05	P1_2040_TH_VEN	Nov 15 2018	PASS	TraceLog_111518_150846_768.txt
06	P1_2050_TH_VEN	Nov 15 2018	PASS	TraceLog_111518_151107_305.txt

Prüfbericht-Nr.:
Test Report No.:

50194213 001

Auftrags-Nr.:
Order No.:

214105006

Seite 7 von of 17
Page 7 von of 17

4.1.1.3 EiReport Service

No.	Test Case Name	Date	Result	Log
01	R1_3010_TH_VEN	Nov 15 2018	PASS	TraceLog_111518_151638_153.txt
02	R1_3020_TH_VEN	Nov 15 2018	PASS	TraceLog_111518_151932_303.txt
03	R1_3025_TH_VEN	Nov 15 2018	PASS	TraceLog_111518_152618_425.txt
04	R1_3027_TH_VEN	Nov 15 2018	PASS	TraceLog_111518_153042_158.txt
05	R1_3030_TH_VEN	Nov 15 2018	PASS	TraceLog_111518_154258_769.txt
06	R1_3040_TH_VEN	Nov 15 2018	PASS	TraceLog_111518_155328_521.txt
07	R1_3045_TH_VEN	Nov 15 2018	PASS	TraceLog_111518_155644_371.txt
08	R1_3050_TH_VEN	Nov 15 2018	PASS	TraceLog_111518_155940_550.txt
09	R1_3060_TH_VEN	Nov 15 2018	PASS	TraceLog_111518_160333_694.txt
10	R1_3070_TH_VEN	Nov 15 2018	PASS	TraceLog_111518_160603_246.txt
11	R1_3080_TH_VEN	N/A	N/A	N/A
12	R1_3090_TH_VEN	N/A	N/A	N/A
13	R1_3100_TH_VEN	N/A	N/A	N/A
14	R1_3120_TH_VEN	N/A	N/A	N/A
15	R1_3130_TH_VEN	Nov 15 2018	PASS	TraceLog_111518_160819_195.txt
16	R1_3140_TH_VEN	Nov 15 2018	PASS	TraceLog_111518_161635_806.txt
17	R1_3150_TH_VEN	Nov 15 2018	PASS	TraceLog_111518_162505_972.txt
18	R1_3160_TH_VEN	Nov 15 2018	PASS	TraceLog_111518_162921_393.txt
19	R1_3170_TH_VEN	N/A	N/A	N/A
20	R1_3180_TH_VEN	Nov 15 2018	PASS	TraceLog_111518_163504_388.txt
21	R1_3190_TH_VEN	Nov 15 2018	PASS	TraceLog_111518_163848_884.txt

4.1.1.4 EiEvent Service

No.	Test Case Name	Date	Result	Log
01	E1_1010_TH_VEN	Nov 16 2018	PASS	TraceLog_111618_100943_802.txt
02	E1_1020_TH_VEN	Nov 16 2018	PASS	TraceLog_111618_102401_408.txt
03	E1_1025_TH_VEN	Nov 16 2018	PASS(*1)	TraceLog_111618_103801_181.txt
04	E1_1027_TH_VEN	Nov 16 2018	PASS	TraceLog_111618_105443_983.txt
05	E1_1030_TH_VEN	Nov 16 2018	PASS	TraceLog_111618_110446_518.txt
06	E1_1040_TH_VEN	Nov 16 2018	PASS	TraceLog_111618_111139_992.txt
07	E1_1050_TH_VEN	Nov 16 2018	PASS	TraceLog_111618_111822_952.txt
08	E1_1055_TH_VEN	Nov 16 2018	PASS	TraceLog_111618_112207_491.txt
09	E1_1060_TH_VEN	Nov 16 2018	PASS	TraceLog_111618_112645_018.txt
10	E1_1065_TH_VEN	Nov 16 2018	PASS	TraceLog_111618_114735_298.txt
11	E1_1070_TH_VEN	N/A	N/A	N/A
12	E1_1080_TH_VEN	Nov 16 2018	PASS	TraceLog_111618_115242_698.txt
13	E1_1090_TH_VEN	N/A	N/A	N/A

(*1) See "5 Remarks and References"

Prüfbericht-Nr.:
Test Report No.:

50194213 001

Auftrags-Nr.:
Order No.:

214105006

Seite 8 von of 17
Page 8 von of 17

4.1.1.5 EiEvent Ported A Profile

No.	Test Case Name	Date	Result	Log
01	A_E3_0420_TH_VEN	Nov 16 2018	PASS	TraceLog_111618_130457_285.txt
02	A_E3_0430_TH_VEN	Nov 16 2018	PASS	TraceLog_111618_130803_283.txt
03	A_E3_0432_TH_VEN	Nov 16 2018	PASS	TraceLog_111618_131146_070.txt
04	A_E3_0435_TH_VEN	Nov 16 2018	PASS	TraceLog_111618_131337_709.txt
05	A_E3_0440_TH_VEN	Nov 16 2018	PASS	TraceLog_111618_131817_022.txt
06	A_E3_0450_TH_VEN	Nov 16 2018	PASS	TraceLog_111618_132357_750.txt
07	A_E3_0452_TH_VEN	Nov 16 2018	PASS	TraceLog_111618_133129_379.txt
08	A_E3_0454_TH_VEN	Nov 16 2018	PASS	TraceLog_111618_133350_215.txt
09	A_E3_0468_TH_VEN	Nov 16 2018	PASS	TraceLog_111618_133618_032.txt
10	A_E3_0470_TH_VEN	Nov 16 2018	PASS	TraceLog_111618_134709_274.txt
11	A_E3_0474_TH_VEN	Nov 16 2018	PASS	TraceLog_111618_135041_787.txt
12	A_E3_0480_TH_VEN	Nov 16 2018	PASS	TraceLog_111618_135336_619.txt
13	A_E3_0484_TH_VEN	Nov 16 2018	PASS	TraceLog_111618_135733_221.txt
14	A_E3_0490_TH_VEN	Nov 16 2018	PASS	TraceLog_111618_140045_169.txt
15	A_E3_0492_TH_VEN	Nov 16 2018	PASS	TraceLog_111618_140332_521.txt
16	A_E3_0494_TH_VEN	Nov 16 2018	PASS	TraceLog_111618_140644_937.txt
17	A_E3_0496_TH_VEN	Nov 16 2018	PASS	TraceLog_111618_140950_213.txt
18	A_E3_0498_TH_VEN	Nov 16 2018	PASS	TraceLog_111618_141246_415.txt
19	A_E3_0500_TH_VEN	Nov 16 2018	PASS	TraceLog_111618_141441_375.txt
20	A_E3_0510_TH_VEN	Nov 16 2018	PASS	TraceLog_111618_141708_256.txt
21	A_E3_0525_TH_VEN	Nov 16 2018	PASS	TraceLog_111618_142140_945.txt
22	A_E3_0527_TH_VEN	Nov 16 2018	PASS	TraceLog_111618_142844_050.txt
23	A_E3_0655_TH_VEN	Nov 16 2018	PASS	TraceLog_111618_144313_640.txt
24	A_E3_0657_TH_VEN	Nov 16 2018	PASS	TraceLog_111618_145043_148.txt
25	A_E3_0680_TH_VEN	Nov 16 2018	PASS	TraceLog_111618_145521_891.txt
26	A_E3_0685_TH_VEN	Nov 16 2018	PASS	TraceLog_111618_150221_623.txt
27	A_E3_0710_TH_VEN	Nov 16 2018	PASS	TraceLog_111618_150919_752.txt
28	A_E3_0720_TH_VEN	Nov 16 2018	PASS	TraceLog_111618_151126_139.txt
29	A_E3_0730_TH_VEN	Nov 16 2018	PASS	TraceLog_111618_151315_856.txt
30	A_E3_0750_TH_VEN	Nov 16 2018	PASS	TraceLog_111618_151520_913.txt
31	A_E3_0780_TH_VEN	Nov 16 2018	PASS	TraceLog_111618_151830_969.txt

4.1.1.6 General Tests

No.	Test Case Name	Date	Result	Log
01	G1_4005_TH_VEN	Nov 16 2018	PASS	TraceLog_111618_153526_107.txt
02	G1_4007_TH_VEN	Nov 16 2018	PASS	TraceLog_111618_153829_698.txt
03	G1_4010_TH_VEN	Nov 16 2018	PASS	TraceLog_111618_154125_576.txt
04	G1_4011_TH_VEN	Nov 16 2018	PASS	TraceLog_111618_154344_927.txt
05	G1_4012_TH_VEN	Nov 16 2018	PASS	TraceLog_111618_154459_003.txt
06	G1_4015_TH_VEN	N/A	N/A	N/A
07	G1_4020_TH_VEN_1	Nov 16 2018	PASS	TraceLog_111618_160651_222.txt
08	G1_4030_TH_VEN	Nov 16 2018	PASS	TraceLog_111618_160839_388.txt

4.1.2 VTN Push Tests

4.1.2.1 EiRegisterParty Service

No.	Test Case Name	Date	Result	Log
01	NO_5010_TH_VEN	Nov 16 2018	PASS	TraceLog_111618_161804_871.txt
02	NO_5015_TH_VEN	Nov 16 2018	PASS	TraceLog_111618_162413_734.txt
03	NO_5020_TH_VEN	Nov 16 2018	PASS	TraceLog_111618_161902_777.txt
04	NO_5025_TH_VEN	Nov 16 2018	PASS	TraceLog_111618_162221_354.txt
05	NO_5030_TH_VEN	Nov 16 2018	PASS	TraceLog_111618_162055_881.txt
06	NO_5040_TH_VEN_1	Nov 16 2018	PASS	TraceLog_111618_162530_130.txt
07	NO_5050_TH_VEN_1	Nov 16 2018	PASS	TraceLog_111618_162947_766.txt
08	NO_5060_TH_VEN	Nov 16 2018	PASS	TraceLog_111618_163131_287.txt
09	NO_5065_TH_VEN	Nov 16 2018	PASS	TraceLog_111618_163429_919.txt
10	NO_5070_TH_VEN	Nov 16 2018	PASS	TraceLog_111618_163601_286.txt
11	NO_5080_TH_VEN	Nov 16 2018	PASS	TraceLog_111618_162712_853.txt

4.1.2.2 EiOpt Service

No.	Test Case Name	Date	Result	Log
01	P0_7010_TH_VEN	Nov 16 2018	PASS	TraceLog_111618_163932_663.txt
02	P0_7015_TH_VEN	Nov 16 2018	PASS	TraceLog_111618_164032_402.txt
03	P0_7020_TH_VEN	Nov 16 2018	PASS	TraceLog_111618_164130_316.txt
04	P0_7030_TH_VEN	Nov 16 2018	PASS	TraceLog_111618_164243_072.txt
05	P0_7040_TH_VEN	Nov 16 2018	PASS	TraceLog_111618_164406_368.txt
06	P0_7050_TH_VEN	Nov 16 2018	PASS	TraceLog_111618_164531_969.txt

Prüfbericht-Nr.:
Test Report No.:

50194213 001

Auftrags-Nr.:
Order No.:

214105006

Seite 10 von of 17
Page 10 von of 17

4.1.2.3 EiReport Service

No.	Test Case Name	Date	Result	Log
01	R0_8010_TH_VEN_1	Nov 19 2018	PASS	TraceLog_111918_101547_664.txt
02	R0_8020_TH_VEN_1	Nov 19 2018	PASS	TraceLog_111918_101934_785.txt
03	R0_8025_TH_VEN_1	Nov 19 2018	PASS	TraceLog_111918_102342_440.txt
04	R0_8027_TH_VEN_1	Nov 19 2018	PASS	TraceLog_111918_102751_549.txt
05	R0_8030_TH_VEN_1	Nov 19 2018	PASS	TraceLog_111918_103106_736.txt
06	R0_8040_TH_VEN_1	Nov 19 2018	PASS	TraceLog_111918_103738_930.txt
07	R0_8045_TH_VEN_1	Nov 19 2018	PASS	TraceLog_111918_104133_835.txt
08	R0_8050_TH_VEN_1	Nov 19 2018	PASS	TraceLog_111918_104431_565.txt
09	R0_8060_TH_VEN_1	Nov 19 2018	PASS	TraceLog_111918_104950_018.txt
10	R0_8070_TH_VEN	Nov 19 2018	PASS	TraceLog_111918_105239_980.txt
11	R0_8080_TH_VEN_1	N/A	N/A	N/A
12	R0_8090_TH_VEN_1	N/A	N/A	N/A
13	R0_8100_TH_VEN_1	N/A	N/A	N/A
14	R0_8120_TH_VEN_1	N/A	N/A	N/A
15	R0_8130_TH_VEN_1	Nov 19 2018	PASS	TraceLog_111918_105539_430.txt
16	R0_8140_TH_VEN_1	Nov 19 2018	PASS	TraceLog_111918_110124_081.txt
17	R0_8150_TH_VEN_1	Nov 19 2018	PASS	TraceLog_111918_110524_773.txt
18	R0_8160_TH_VEN_1	Nov 19 2018	PASS	TraceLog_111918_111435_805.txt
19	R0_8170_TH_VEN_1	N/A	N/A	N/A
20	R0_8180_TH_VEN_1	Nov 19 2018	PASS	TraceLog_111918_112402_763.txt
21	R0_8190_TH_VEN_1	Nov 19 2018	PASS	TraceLog_111918_112732_584.txt

4.1.2.4 EiEvent Service

No.	Test Case Name	Date	Result	Log
01	E0_6010_TH_VEN_1	Nov 19 2018	PASS	TraceLog_111918_113209_548.txt
02	E0_6020_TH_VEN_1	Nov 19 2018	PASS	TraceLog_111918_113328_686.txt
03	E0_6025_TH_VEN_1	Nov 19 2018	PASS(*1)	TraceLog_111918_114008_649.txt
04	E0_6027_TH_VEN_1	Nov 19 2018	PASS	TraceLog_111918_114459_739.txt
05	E0_6030_TH_VEN_1	Nov 19 2018	PASS	TraceLog_111918_114912_411.txt
06	E0_6040_TH_VEN_1	Nov 19 2018	PASS	TraceLog_111918_115420_921.txt
07	E0_6050_TH_VEN	Nov 19 2018	PASS	TraceLog_111918_121000_444.txt
08	E0_6055_TH_VEN_1	Nov 19 2018	PASS	TraceLog_111918_133147_222.txt
09	E0_6060_TH_VEN_1	Nov 19 2018	PASS	TraceLog_111918_133441_043.txt
10	E0_6065_TH_VEN_1	Nov 19 2018	PASS	TraceLog_111918_134040_242.txt
11	E0_6070_TH_VEN_1	N/A	N/A	N/A
12	E0_6080_TH_VEN_1	Nov 19 2018	PASS	TraceLog_111918_134630_440.txt
13	E0_6090_TH_VEN_1	N/A	N/A	N/A

(*1) See "5 Remarks and References"

Prüfbericht-Nr.:
Test Report No.:

50194213 001

Auftrags-Nr.:
Order No.:

214105006

Seite 11 von of 17
Page 11 von of 17

4.1.2.5 EiEvent Ported A Profile

No.	Test Case Name	Date	Result	Log
01	A_E2_0430_TH_VEN_1	Nov 19 2018	PASS	TraceLog_111918_134950_085.txt
02	A_E2_0432_TH_VEN_1	Nov 19 2018	PASS	TraceLog_111918_135305_500.txt
03	A_E2_0435_TH_VEN_1	Nov 19 2018	PASS	TraceLog_111918_135557_496.txt
04	A_E2_0440_TH_VEN_1	Nov 19 2018	PASS	TraceLog_111918_135948_601.txt
05	A_E2_0450_TH_VEN_1	Nov 19 2018	PASS	TraceLog_111918_140401_664.txt
06	A_E2_0452_TH_VEN_1	Nov 19 2018	PASS	TraceLog_111918_140856_690.txt
07	A_E2_0454_TH_VEN_1	Nov 19 2018	PASS	TraceLog_111918_141158_044.txt
08	A_E2_0468_TH_VEN_1	Nov 19 2018	PASS	TraceLog_111918_141436_028.txt
09	A_E2_0470_TH_VEN_1	Nov 19 2018	PASS	TraceLog_111918_141600_387.txt
10	A_E2_0474_TH_VEN_1	Nov 19 2018	PASS	TraceLog_111918_141917_289.txt
11	A_E2_0480_TH_VEN_1	Nov 19 2018	PASS	TraceLog_111918_142157_978.txt
12	A_E2_0484_TH_VEN_1	Nov 19 2018	PASS	TraceLog_111918_142449_684.txt
13	A_E2_0490_TH_VEN_1	Nov 19 2018	PASS	TraceLog_111918_142725_350.txt
14	A_E2_0492_TH_VEN_1	Nov 19 2018	PASS	TraceLog_111918_142953_594.txt
15	A_E2_0494_TH_VEN_1	Nov 19 2018	PASS	TraceLog_111918_143323_206.txt
16	A_E2_0496_TH_VEN_1	Nov 19 2018	PASS	TraceLog_111918_143610_395.txt
17	A_E2_0498_TH_VEN_1	Nov 19 2018	PASS	TraceLog_111918_143940_590.txt
18	A_E2_0500_TH_VEN_1	Nov 19 2018	PASS	TraceLog_111918_145607_117.txt
19	A_E2_0510_TH_VEN_1	Nov 19 2018	PASS	TraceLog_111918_150431_769.txt
20	A_E2_0525_TH_VEN_1	Nov 19 2018	PASS	TraceLog_111918_151042_314.txt
21	A_E2_0527_TH_VEN_1	Nov 19 2018	PASS	TraceLog_111918_152429_544.txt
22	A_E2_0657_TH_VEN_1	Nov 19 2018	PASS	TraceLog_111918_153127_635.txt
23	A_E2_0680_TH_VEN_1	Nov 19 2018	PASS	TraceLog_111918_153847_891.txt
24	A_E2_0685_TH_VEN_1	Nov 19 2018	PASS	TraceLog_111918_154546_051.txt
25	A_E2_0710_TH_VEN_1	Nov 19 2018	PASS	TraceLog_111918_155355_993.txt
26	A_E2_0720_TH_VEN_1	Nov 19 2018	PASS	TraceLog_111918_155627_506.txt
27	A_E2_0730_TH_VEN_1	Nov 19 2018	PASS	TraceLog_111918_155931_409.txt
28	A_E2_0750_TH_VEN_1	Nov 19 2018	PASS	TraceLog_111918_160226_104.txt
29	A_E2_0780_TH_VEN_1	Nov 19 2018	PASS	TraceLog_111918_160520_088.txt

4.1.2.6 General Tests

No.	Test Case Name	Date	Result	Log
01	GO_9005_TH_VEN_1	Nov 19 2018	PASS	TraceLog_111918_161500_735.txt
02	GO_9010_TH_VEN_1	Nov 19 2018	PASS	TraceLog_111918_161729_779.txt
03	GO_9020_TH_VEN_1	Nov 19 2018	PASS	TraceLog_111918_163457_013.txt
04	GO_9030_TH_VEN_1	Nov 19 2018	PASS	TraceLog_111918_163539_938.txt

Prüfbericht-Nr.:
Test Report No.:

50194213 001

Auftrags-Nr.:
Order No.: 214105006

Seite 12 von of 17
Page 12 von of 17

4.1.2.7 XMPP Tests

No.	Test Case Name	Date	Result	Log
01	N0_5020_TH_VEN	Nov 20 2018	PASS	TraceLog_112018_100743_680.txt
02	N0_5030_TH_VEN	Nov 20 2018	PASS	TraceLog_112018_103009_783.txt
03	P0_7010_TH_VEN	Nov 20 2018	PASS	TraceLog_112018_101139_131.txt
04	RO_8010_TH_VEN_1	Nov 20 2018	PASS	TraceLog_112018_101322_586.txt
05	E0_6020_TH_VEN_1	Nov 20 2018	PASS	TraceLog_112018_101620_319.txt
06	GO_9005_TH_VEN_1	Nov 20 2018	PASS	TraceLog_112018_102403_021.txt
07	GO_9010_TH_VEN_1	Nov 20 2018	PASS	TraceLog_112018_102648_901.txt

4.2 Profile 2.0a

4.2.1 VTN Pull Tests

4.2.1.1 Application Layer Test Cases

No.	Test Case Name	Date	Result	Log
01	E3_0420_TH_VEN	Nov 20 2018	PASS	TraceLog_112018_103540_497.txt
02	E3_0430_TH_VEN	Nov 20 2018	PASS	TraceLog_112018_104108_913.txt
03	E3_0432_TH_VEN	Nov 20 2018	PASS	TraceLog_112018_104410_118.txt
04	E3_0435_TH_VEN	Nov 20 2018	PASS	TraceLog_112018_104616_962.txt
05	E3_0440_TH_VEN	Nov 20 2018	PASS	TraceLog_112018_104905_796.txt
06	E3_0450_TH_VEN	Nov 20 2018	PASS	TraceLog_112018_105232_442.txt
07	E3_0452_TH_VEN	Nov 20 2018	PASS	TraceLog_112018_105605_299.txt
08	E3_0454_TH_VEN	Nov 20 2018	PASS	TraceLog_112018_105811_154.txt
09	E3_0468_TH_VEN	Nov 20 2018	PASS	TraceLog_112018_110033_259.txt
10	E3_0470_TH_VEN	Nov 20 2018	PASS	TraceLog_112018_110213_463.txt
11	E3_0474_TH_VEN	Nov 20 2018	PASS	TraceLog_112018_110623_566.txt
12	E3_0480_TH_VEN	Nov 20 2018	PASS	TraceLog_112018_110903_168.txt
13	E3_0484_TH_VEN	Nov 20 2018	PASS	TraceLog_112018_111149_747.txt
14	E3_0490_TH_VEN	Nov 20 2018	PASS	TraceLog_112018_111423_072.txt
15	E3_0492_TH_VEN	Nov 20 2018	PASS	TraceLog_112018_111723_016.txt
16	E3_0494_TH_VEN	Nov 20 2018	PASS	TraceLog_112018_112010_692.txt
17	E3_0496_TH_VEN	Nov 20 2018	PASS	TraceLog_112018_112310_064.txt
18	E3_0498_TH_VEN	Nov 20 2018	PASS	TraceLog_112018_112556_126.txt
19	E3_0500_TH_VEN	Nov 20 2018	PASS	TraceLog_112018_112818_469.txt
20	E3_0510_TH_VEN	Nov 20 2018	PASS	TraceLog_112018_113110_196.txt
21	E3_0525_TH_VEN	Nov 20 2018	PASS	TraceLog_112018_113656_380.txt
22	E3_0527_TH_VEN	Nov 20 2018	PASS	TraceLog_112018_114329_139.txt
23	E3_0655_TH_VEN	Nov 20 2018	PASS	TraceLog_112018_114851_554.txt
24	E3_0657_TH_VEN	Nov 20 2018	PASS	TraceLog_112018_130411_645.txt
25	E3_0660_TH_VEN	Nov 20 2018	PASS	TraceLog_112018_130813_404.txt
26	E3_0680_TH_VEN	Nov 20 2018	PASS	TraceLog_112018_132749_261.txt
27	E3_0685_TH_VEN	Nov 20 2018	PASS	TraceLog_112018_133240_197.txt
28	E3_0710_TH_VEN	Nov 20 2018	PASS	TraceLog_112018_133939_323.txt
29	E3_0720_TH_VEN	Nov 20 2018	PASS	TraceLog_112018_134221_201.txt
30	E3_0730_TH_VEN	Nov 20 2018	PASS	TraceLog_112018_134444_197.txt
31	E3_0750_TH_VEN	Nov 20 2018	PASS	TraceLog_112018_134643_562.txt
32	E3_0780_TH_VEN	Nov 20 2018	PASS	TraceLog_112018_135155_999.txt

4.2.1.2 Security Test Cases

No.	Test Case Name	Date	Result	Log
01	S3_1600_TH_VEN	Nov 20 2018	PASS	TraceLog_112018_140007_981.txt
02	S3_1605_TH_VEN	Nov 20 2018	PASS	TraceLog_112018_140420_114.txt

4.2.2 VTN Push Tests

4.2.2.1 Application Layer Test Cases

No.	Test Case Name	Date	Result	Log
01	E2_0430_TH_VEN	Nov 20 2018	PASS	TraceLog_112018_141607_758.txt
02	E2_0432_TH_VEN	Nov 20 2018	PASS	TraceLog_112018_141905_419.txt
03	E2_0435_TH_VEN	Nov 20 2018	PASS	TraceLog_112018_142138_384.txt
04	E2_0440_TH_VEN	Nov 21 2018	PASS	TraceLog_112118_100253_620.txt
05	E2_0450_TH_VEN	Nov 21 2018	PASS	TraceLog_112118_100541_842.txt
06	E2_0452_TH_VEN	Nov 21 2018	PASS	TraceLog_112118_100839_292.txt
07	E2_0454_TH_VEN	Nov 21 2018	PASS	TraceLog_112118_101115_904.txt
08	E2_0468_TH_VEN	Nov 21 2018	PASS	TraceLog_112118_101255_746.txt
09	E2_0470_TH_VEN	Nov 21 2018	PASS	TraceLog_112118_101531_414.txt
10	E2_0474_TH_VEN	Nov 21 2018	PASS	TraceLog_112118_101754_302.txt
11	E2_0480_TH_VEN	Nov 21 2018	PASS	TraceLog_112118_102048_753.txt
12	E2_0484_TH_VEN	Nov 21 2018	PASS	TraceLog_112118_102254_190.txt
13	E2_0490_TH_VEN	Nov 21 2018	PASS	TraceLog_112118_102529_053.txt
14	E2_0492_TH_VEN	Nov 21 2018	PASS	TraceLog_112118_102734_440.txt
15	E2_0494_TH_VEN	Nov 21 2018	PASS	TraceLog_112118_102953_956.txt
16	E2_0496_TH_VEN	Nov 21 2018	PASS	TraceLog_112118_103315_463.txt
17	E2_0498_TH_VEN	Nov 21 2018	PASS	TraceLog_112118_103557_557.txt
18	E2_0500_TH_VEN	Nov 21 2018	PASS	TraceLog_112118_103846_573.txt
19	E2_0510_TH_VEN	Nov 21 2018	PASS	TraceLog_112118_104145_425.txt
20	E2_0525_TH_VEN	Nov 21 2018	PASS	TraceLog_112118_104752_879.txt
21	E2_0527_TH_VEN	Nov 21 2018	PASS	TraceLog_112118_105357_289.txt
22	E2_0657_TH_VEN	Nov 21 2018	PASS	TraceLog_112118_105908_692.txt
23	E2_0670_TH_VEN	Nov 21 2018	PASS	TraceLog_112118_110413_220.txt
24	E2_0680_TH_VEN	Nov 21 2018	PASS	TraceLog_112118_110734_568.txt
25	E2_0685_TH_VEN	Nov 21 2018	PASS	TraceLog_112118_112048_374.txt
26	E2_0710_TH_VEN	Nov 21 2018	PASS	TraceLog_112118_112643_372.txt
27	E2_0720_TH_VEN	Nov 21 2018	PASS	TraceLog_112118_112802_364.txt
28	E2_0730_TH_VEN	Nov 21 2018	PASS	TraceLog_112118_113015_195.txt
29	E2_0750_TH_VEN	Nov 21 2018	PASS	TraceLog_112118_113402_826.txt
30	E2_0780_TH_VEN	Nov 21 2018	PASS	TraceLog_112118_113756_276.txt

4.2.2.2 Security Test Cases

No.	Test Case Name	Date	Result	Log
01	S2_1500_TH_VEN	Nov 21 2018	PASS	TraceLog_112118_114214_111.txt

4.2.3 Transport Tests

No.	Test Case Name	Date	Result	Log
01	T9_1200	Nov 21 2018	PASS	TraceLog_112118_114526_372.txt

5 Remarks and References

The Alliance has allowed us to use revised Test Cases E1_1025_TH_VEN and E0_6025_TH_VEN_1. "TOSHIBA-VPP" is not providing the capability to configure a device class target at the signal level. The Alliance permits the validation of the device class target in the payload to be invalidated in the relevant test case. This is an exception for "TOSHIBA-VPP" only.

Log files for the executed test cases are provided in the electronic format.

List of all executed tests with links to the log files is located in the "logfile.html" which could be opened in any web-browser (Internet Explorer is recommended).

6 Photos



Photo 1: FW Version



Photo 2: Test Sample

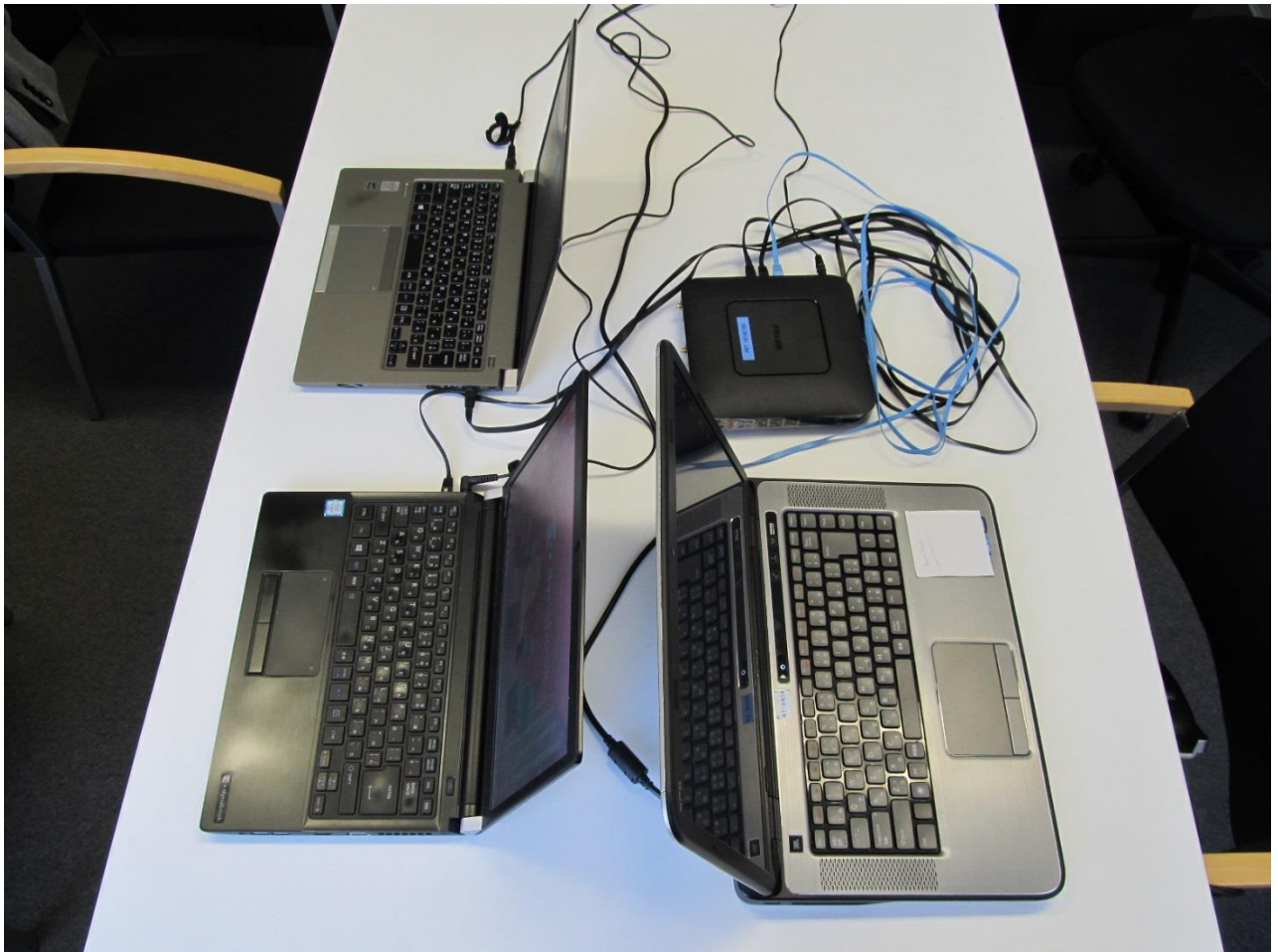


Photo 3: Test Setup